

HOPG X-RAY MONOCHROMATORS

We offer to practical X-ray users efficient X-ray monochromators from
Highly Oriented Pirolythic Graphite (HOPG)

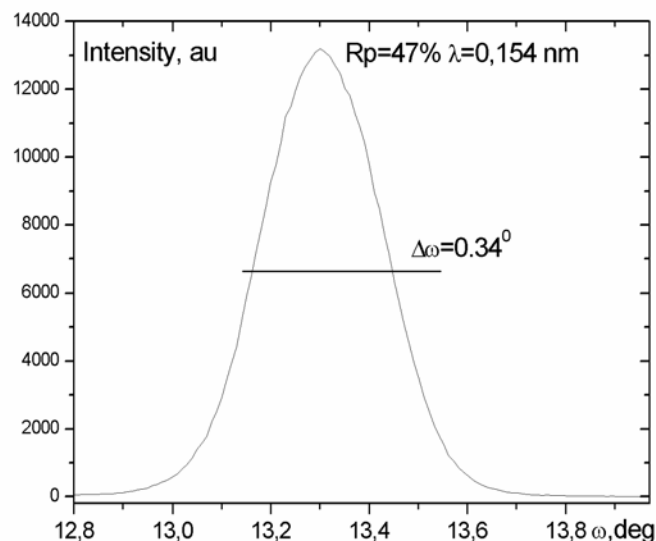
Standard flat monochromators

- ◆ Thickness $0,5 \div 2$ mm
- ◆ Peak reflectivity R_p up to 45-50%
- ◆ Mosaic spread $\Delta\omega$ down to $0,25^\circ$

New type

Semitransparent Monochromators for spectral line selection and mixing

- ◆ R_p up to 30-35%
- ◆ $\Delta\omega$ down to $0,25^\circ$.
- ◆ Transmittance T up to 85-90%
(at 8,9 keV / CuK_β line)



◆ Monochromators are manufactured by *Atomgraf Inc.* and tested by *Lebedev Physical Institute RAS*

Fig. 1. ω -scan of 0,5-mm flat monochromator

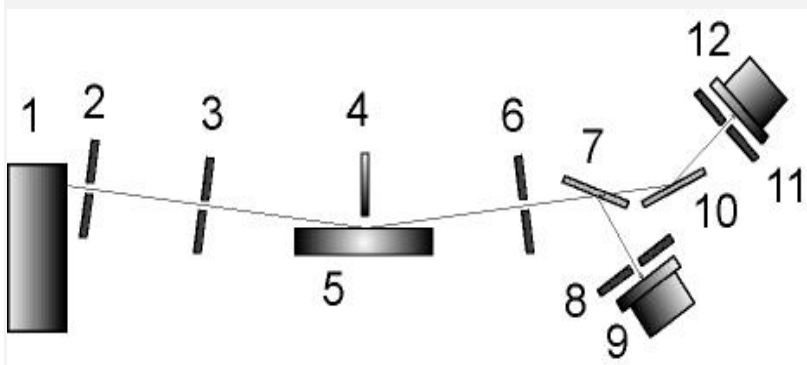


Fig. 2. Scheme of spectral line selection [].

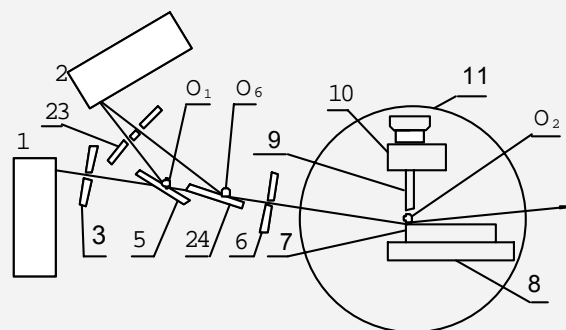


Fig. 3. Scheme of spectral line mixing [].

References

A.G. Tour'yanskii, I.V. Pirshin.

"Pirolytic Graphite X-Ray Echelon-Monochromator".

Instruments and Experimental Techniques. Vol. 41, No. 5, 1998, pp. 118-122.

A.G. Tour'yanskii, A.V. Vinogradov, I.V. Pirshin. "A Two-Wave X-Ray Reflectometer".

Instruments and Experimental Techniques. Vol. 42, No. 1, 1999, pp. 94-99.

A.G. Tour'yanski, A.V. Vinogradov, I.V. Pirshin.

"X-ray reflectometer".

Patent no. 6041098, US Cl. 378-70. (Official Gazette March 21, 2000, p. 2960)

Contacts:

e-mail: tour@mail.lebedev.ru

tel. (7-095) 132-62-68

Post address: Dr. A. Touriyanski,

119991, Moscow, Leninski pr. 53, Solid State Physics Department.